



GE® Zoneline® vertical packaged terminal air conditioners

Home products and services



Appearance

All the benefits of PTAC with the aesthetics and versatility of central air.



- Zonline vertical units give any room a more home-like appearance.
- Versatile design optimizes floor space.
- The entire unit can be easily concealed in closet with an outside wall.
- Ideal for use in hotels, motels, office buildings, schools and apartments.
- Specifically designed for quiet operation.

Inside story

Zonline® vertical units are easy to install and even easier to service.

Simplicity

Unique Sleeve Design

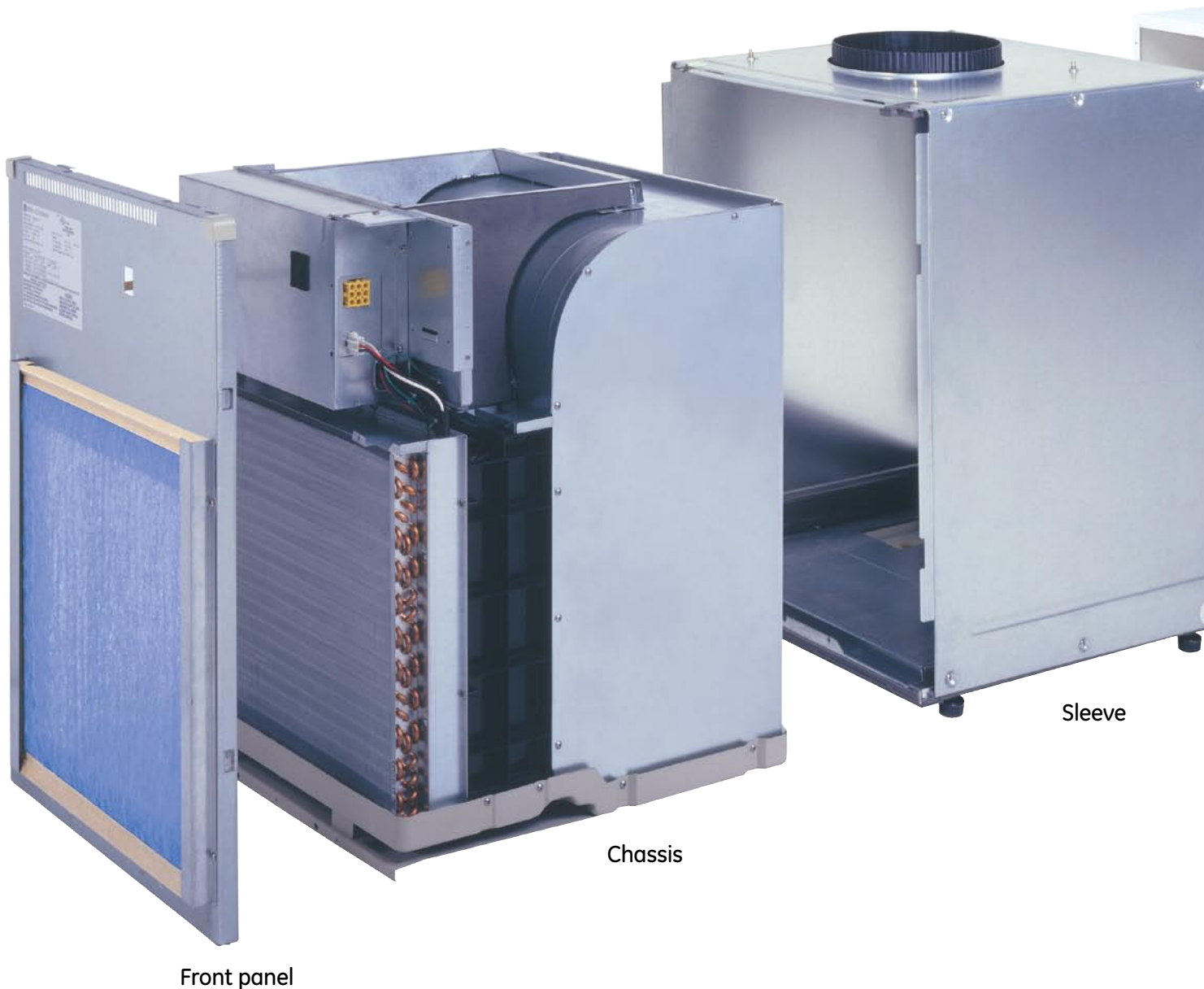
- Makes units easier to install.

Three-Way, Slide-Out Chassis

- Specially designed case makes maintenance and service quick and easy.

Accessories

Model #	Description	Size
RAVAL1	Exterior Grille	19 3/4" W x 32" H
RAVRG1	Access Panel (in lieu of door)	28 " W x 48" H Cutout
RAVRG2	Return Air Grille	20 3/8" W x 20 3/8" H Cutout
RAVRMS	Freeze Sentinel™/Temperature Limiting Room Sensor	
RAK163D1	Solid State Digital Manual Changeover Thermostat (5 connection wires required)	
RAK163P1	Solid State Digital Programmable Auto Changeover Thermostat (5 connection wires required)	
RAK147D1	Solid State Digital Manual Heat Pump Changeover Thermostat (6 connection wires required)	
RAK147P1	Solid State Digital Programmable Auto Changeover Heat Pump Thermostat (6 connection wires required)	



Plenum Sizes

RAVWP6 Plenum

19 3/4" W x 32" H (up to 6" Wall Thickness)

RAVWP8 Plenum

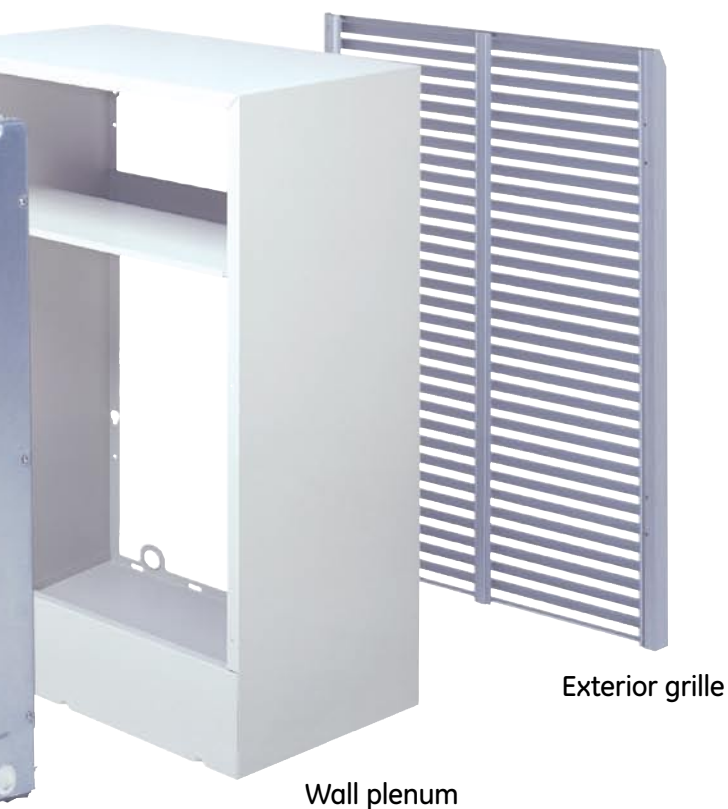
19 3/4" W x 32" H (up to 8" Wall Thickness)

RAVWP12 Plenum

19 3/4" W x 32" H (up to 12" Wall Thickness)

RAVWP15 Plenum

19 3/4" W x 32" H (up to 15" Wall Thickness)



Minimum Clearances

Front

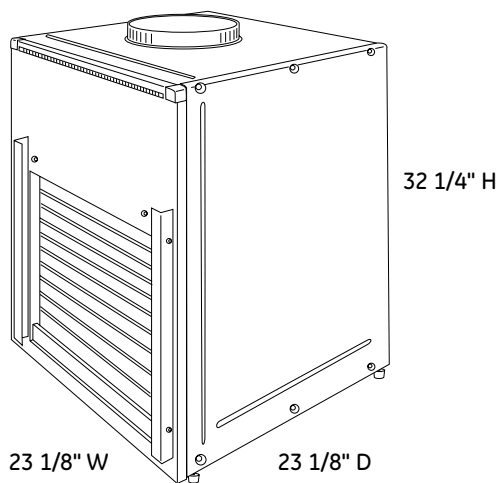
- Allow 4 inches in front of unit. When determining closet depth, note that plenum may protrude into closet up to 4 inches, depending on wall depth.

Sides

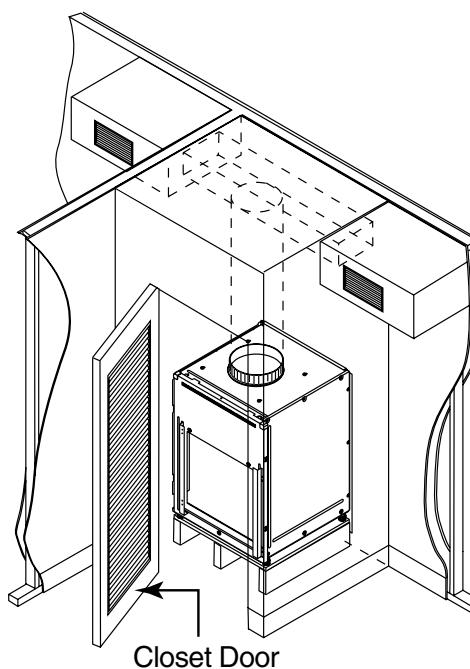
- Allow 3 inches on each side of unit.
- For side access closets only: Allow 5 inches on the side where access is required.

Platform

- An 8" - 12" high, field-supplied platform is recommended for drain access.



Overall Unit Dimensions



Vertical View

Performance

Quiet operation. Home-like appearance. Versatile room design.



Electronic Temperature Limiting

Prevents expensive overheating and over cooling.

Year-Round Comfort

Individual heating and cooling temperature controls.

Heat/Cool Multiple Rooms

Venting allows a single unit to serve multiple rooms.

Remote Installation

All Zoneline units are compatible with GE wall mounted remote controls.



Energy Management Feature Central Desk Control

All Zoneline units are compatible with central desk ON/OFF controls, including many computerized control systems. Infrared sensor and door switch capability for maximum efficiency.



Freeze Sentinel™

Provides protection against damage caused by freezing temperatures in unoccupied rooms, regardless of unit setting. (Requires kit)



Full Corrosion Treatment

Special treatments are placed on the outdoor coil and other components to extend the life of the unit. (Standard)

Specifications

	AZ75E09DAC	AZ75E12DAC	AZ75E18DAC	AZ75H09DAC	AZ75H12DAC	AZ75H18DAC
	Electric resistance heat			Heat pumps		
Features						
BTUH	9,500/9,300	11,700/11,500	17,500/17,200	9,500/9,300	11,700/11,500	17,500/17,200
E.E.R. (BTUH/Watt)	10.5/10.5	10.7/10.7	10.0/10.0	10.5/10.5	10.7/10.7	10.0/10.0
Dehumidification (pints/hr.)	2.7	3.6	5.0	2.7	3.6	5.0
Universal Heater (kW)	2.55/3.45/5.0	2.55/3.45/5.0	2.55/3.45/5.0	2.55/3.45/5.0	2.55/3.45/5.0	2.55/3.45/5.0
Heating Cap (BTUH)				8,400/8,200	10,900/10,700	15,700/15,500
COP @ 47°				3.6	3.3/3.3	3.1
Voltage (V)	230/208	230/208	230/208	230/208	230/208	230/208
Unit Width (in.)	23-1/8	23-1/8	23-1/8	23-1/8	23-1/8	23-1/8
Unit Depth (in.)	23-1/8	23-1/8	23-1/8	23-1/8	23-1/8	23-1/8
Unit Height (in.)	32-1/4	32-1/4	32-1/4	32-1/4	32-1/4	32-1/4
Indoor CFM (Hi/Lo)	310/260	375/315	550/475	310/260	375/315	550/475

Power connection kits are required on all vertical Zonline® chassis (see chart below).

The correct kit for the installation is determined by the voltage and amperage of the electrical circuit and the means of connecting the unit to the building wiring. If the unit is to be plugged into a receptacle, a power cord kit would be used; if the unit is to be permanently connected, a permanent connection kit would be used.



Power connection kits Required on premium models. See specification sheet for heater KW and branch circuit ampacity.

RAK3152/3202/3302
230/208 volt cord connection kit.

230/208 volt	Line cord connected units		
Power Connection Kit	RAK3152	RAK3202	RAK3302
Heater KW	2.55/2.09	3.45/2.82	5.00/4.09
Min. circuit amps	15	20	30
Recommended protective device	15 Amp time delay fuse or breaker	20 amp time delay fuse or breaker	30 amp time delay fuse or breaker

265/277 volt line cord kits available by special order.

Zonline® warranty*

What is covered

Limited one-year warranty

For one year from date of original purchase, we will provide, free of charge, parts and service labor on site to repair or replace any part of the Zonline that fails because of a manufacturing defect.

Additional limited four-year warranty

For an additional four years from the date of original purchase, we will provide, free of charge, parts and on-site service labor to repair or replace any part of the sealed refrigerating system (the compressor, condenser, evaporator and all connecting tubing) that fails because of a manufacturing defect.

Limited 2nd through 5th year parts warranty

For the second through the fifth year from date of original purchase, General Electric will provide, free of charge, parts that fail as a result of a manufacturing defect. Parts covered are fan motors, switches, heater, heater protectors, compressor overload, solenoids, circuit boards, auxiliary controls, thermistors, frost control capacitors and varistors. This is a limited parts-only warranty, and does not include labor or transportation to and from the service shop.

All warranty service will be provided by our Factory Service Centers or by our authorized Customer Care® servicers during normal working hours.

*See written warranty for details

For GE appliance service in the US, call 1-800-GE CARES. In Canada call 1-888-209-0999.



GE Consumer & Industrial
Appliances
General Electric Company
Louisville, KY 40225
ge.com

GE has a policy of continuous improvement of its products and reserves the right to change materials and specifications without notice.

© 2006 GE Company
Pub. No. 20-S016 PC42052